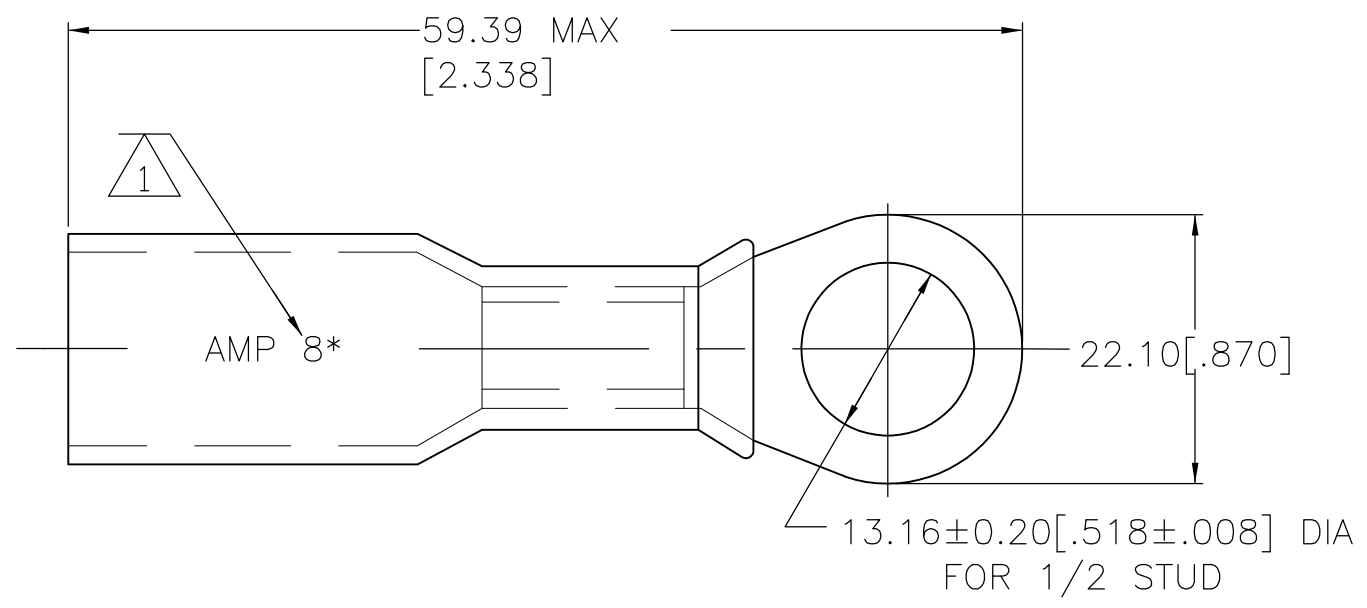


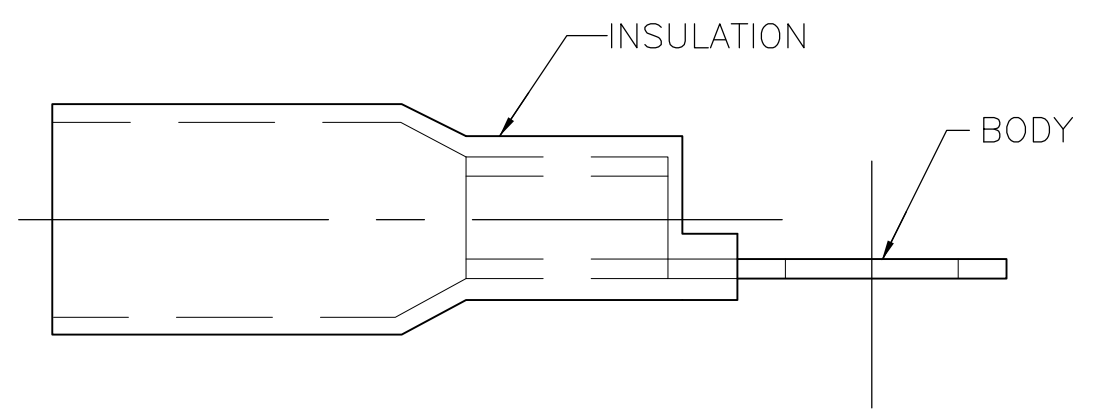
THIS DRAWING IS UNPUBLISHED. RELEASED FOR PUBLICATION
 © COPYRIGHT BY TYCO ELECTRONICS CORPORATION. ALL INTERNATIONAL RIGHTS RESERVED.

LOC	DIST	REVISIONS					
		P	LTR	DESCRIPTION	DATE	DWN	APVD
G	14		D	REVISED PER ECR-09-027352	18FEB10	JR	TM



- 1 STAMP AMP 8* APPROX AS SHOWN
- 2 WIRE INSULATION DIA 7.87 [.310] MAX
- 3 TONGUE MATERIAL THK 1.14±0.05 [.045±.002]
- 4 SUPERSEDED BY 8-55865-5

AMP WIRE RANGE
8 AWG STRANDED



10	LOOSE PIECE	8-55865-5
100	LOOSE PIECE	4 55865-1
QTY	PACKAGE TYPE	PART NO

AMP INCORPORATED
CUSTOMER SERVICE SYSTEMS

FOR ADDITIONAL PRODUCT INFORMATION OR COPIES OF DRAWINGS AND TECHNICAL DOCUMENTS	PRODUCT INFORMATION CENTER 1-800-522-6752
FOR APPLICATION TOOLING INFORMATION	TOOLING ASSISTANCE CENTER 1-800-722-1111
FOR ORDER ENTRY	1-800-526-5142

MAX RECOMMENDED OPERATING TEMPERATURE:
 125° C MAX

VOLTAGE RATING:
 600V MAX (BUILDING WIRING)
 1000V MAX (FIXTURES & SIGNS)

CIRCULAR MIL AREA:
 6.64-10.54² [13100-20800]
 STRANDED

THIS DRAWING IS A CONTROLLED DOCUMENT FOR AMP INCORPORATED. IT IS SUBJECT TO CHANGE AND THE CONTROLLING ENGINEERING ORGANIZATION SHOULD BE CONTACTED FOR THE LATEST REVISION.

THIS DRAWING IS A CONTROLLED DOCUMENT.

DIMENSIONS: mm [INCHES]	TOLERANCES UNLESS OTHERWISE SPECIFIED:
	0 PLC ± -
	1 PLC ± -
	2 PLC ± 0.20 [.008]
	3 PLC ± -
	4 PLC ± -
	ANGLES ± -

MATERIAL: BODY: ETP COPPER; INSULATION: POLYOLEFIN; COLOR: RED

FINISH: EDP TIN PLATED

DWN S S GOULDEN 6/93	Tyco Electronics Corporation Harrisburg, PA 17105-3608
CHK R HERSEY 6/93	
APVD B BARE 6/93	
PRODUCT SPEC	NAME: TERMINAL, RING TONGUE, SEALABLE HEAT SHRINKABLE
APPLICATION SPEC	SIZE: A3; CAGE CODE: 00779; DRAWING NO: C-55865
408-4022	RESTRICTED TO: -
WEIGHT: -	SCALE: NTS; SHEET: 1 OF 1; REV: D
CUSTOMER DRAWING	